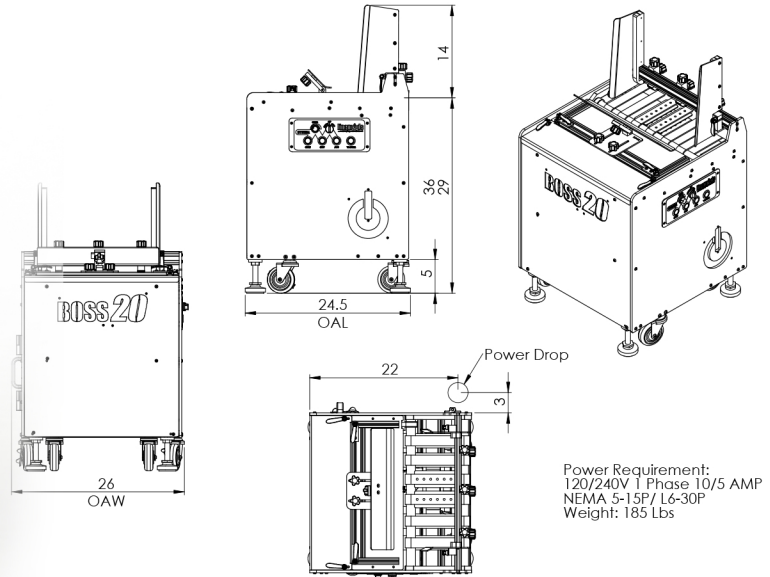




Capital
Mailing Equipment Inc.

BOSS 20



Power Requirement:
120/240V 1 Phase 10/5 AMP
NEMA 5-15P/ L6-30P
Weight: 185 Lbs

Attributes

- > Servo & PLC driven
- > Repositionable vacuum belts
- > Heavy duty high-speed
- > Cam-lock & cushion grip tool-less adjustments
- > Automatic start/stop/feed/speed (I/O connection)
- > Integrates directly into Linemods equipment
- > Speed following
- > Height adjustable 29"-36"
- > Heavy duty casters

Optional Accessories

- > Standalone 110v power and I/O cables
- > HMI touch-screen control
- > 30" wide configuration (*BOSS30*)

Product Capacity

Width: 20" capacity
Max Speed: 550' per min
Gross weight: 185 lbs
Electrical: 120/240V 1 Phase 10/5 AMP
NEMA 5-15P/ L6-30P



Capital
Mailing Equipment Inc.



SCAN ME

11701 Metro Airport Center Drive
Romulus, MI 48174
(833) 263-6245
info@CapitalMailingEquipment.com
www.CapitalMailingEquipment.com