



Capital
Mailing Equipment Inc.

MACH*SERIES*

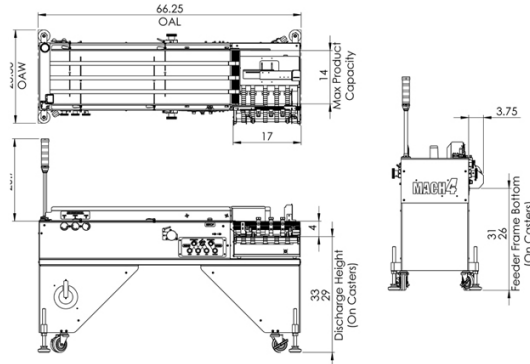
4', 6' and 9' Auto Loading Feeders

Heavy duty extended capacity feeder series for high speed and volume product feeding - for use with all Linemods equipment, and standalone use with your existing equipment.

MACH4



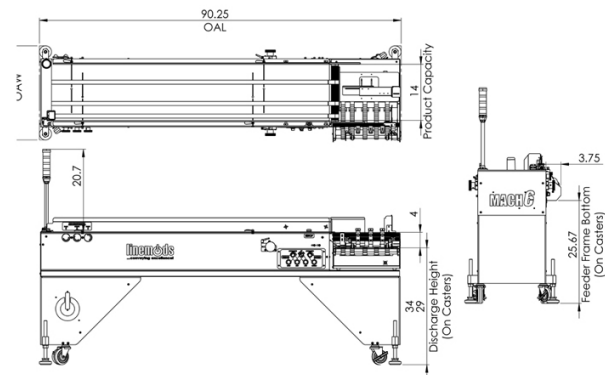
4' Auto Loading Bulk Feeder



MACH6



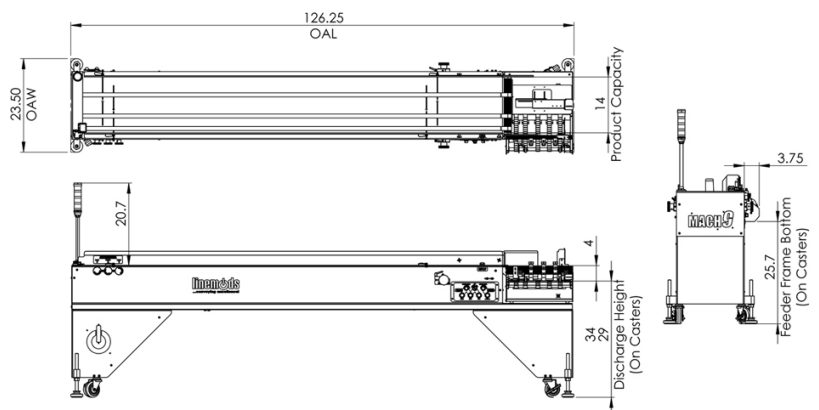
6' Auto Loading Bulk Feeder



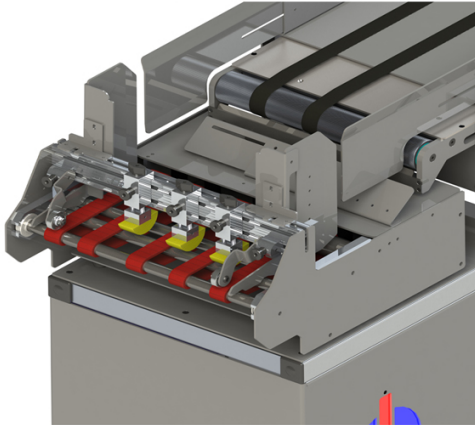
MACH9



9' Auto Loading Bulk Feeder

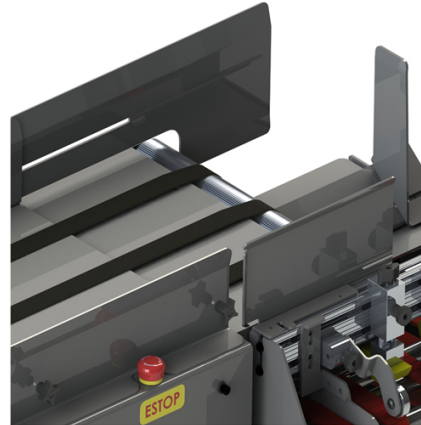


Accessories



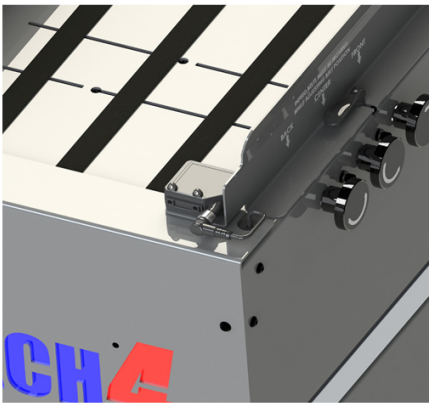
In-Line or 90 degree operation:

- > Quickly change from 90-In-line by rotating feeder
- > Quick connect plugs to connect feeder

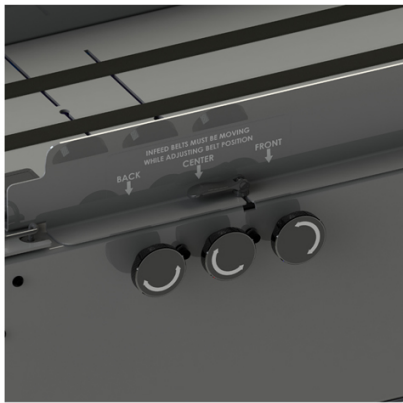


Adjustable Feed Nose:

- > Tool-less adjustment
- > Allows up to 14" long continuous feeding



Stack Sensor - provides LED visual signal to operator



Exterior infeed belt adjustment



OP Console with integrated reverse for infeed

Attributes

- > Heavy duty high-speed
- > Easy tool-less adjustments
- > Straight In-Line or right angle (field adjustable)
- > Automatic start/stop/feed/speed (I/O connection)
- > Plugs directly into most Linemods equipment
- > Speed following
- > Low product detection sensor with LED indicator tree
- > Height adjustable 29"-35"
- > Heavy duty casters

Optional Accessories

- > Standalone 110v power and I/O cables
- > 1000' per min servo drive

Product Capacity

Width: 14" capacity x 4', 6' or 9' long

Max Speed: 750' per min

Gross weight:

- > 300 lbs for 4'
- > 340 lbs for 6'
- > 400 lbs for 9'

Electrical: 100-240v 1 Ph / 5 amps (configurable)



Capital
Mailing Equipment Inc.



11701 Metro Airport Center Drive
Romulus, MI 48174
(833) 263-6245
info@CapitalMailingEquipment.com
www.CapitalMailingEquipment.com