



Capital
Mailing Equipment Inc.

MONO
WEB
PRINTER

DURABOLT™
PRINTBAR

WIDE WEB HIGH SPEED PRINTING



memjet®

Beautiful Precision, Simplicity and Flexibility

11701 Metro Airport Center Dr., Suite C-101,
Romulus MI 48174
info@CapitalMailingEquipment.com



CapitalMailingEquipment.com
833-263-6245

Fully Stitched Wide Web Printing at 1600 dpi

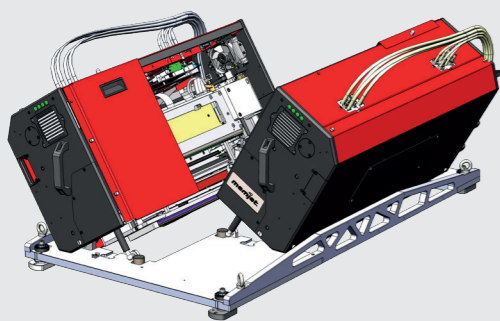
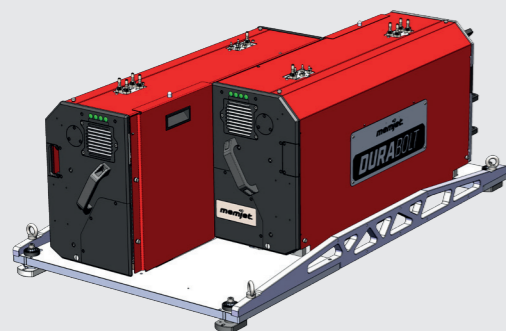
The DuraBolt PrintBar is a high-volume, monochrome print solution designed to deliver exceptional speed in wide web applications. Sold directly to printers, this ultramodern print system enables printers to create advanced hybrid printing solutions at an attractive price point.

The DuraBolt PrintBar is a powerful print solution that delivers Memjet's hallmark 1600 dpi print quality across wide web monochrome applications. It provides printers with a new opportunity for profitable production imprinting with customizable functionality delivered at exceptional value. DuraBolt PrintBar is easily integrated into existing infrastructure and is augmented by a sophisticated digital front end (DFE) that provides highly intuitive operations.

Hybrid Printing at Offset Print Speeds

The DuraBolt technology series has been engineered for high speeds and outstanding print quality for print widths up to 39.25 inches. The DuraBolt PrintBar can deliver print speeds up to 980 feet per minute, while maintaining offset quality. It enables printers to build on their simple imprinting experience and turn their systems into true hybrid printing solutions with customizable functionality delivered at exceptional value. With print quality resolutions of 1600dpi, the DuraBolt PrintBar mimics offset quality using state-of-the-art printhead technology from Memjet. The solution includes printing and print control technology, simplified maintenance, automated print head tending, and a robust DFE.

DuraBolt
PrintBar



Increase Productivity with 10x Nozzle Redundancy

At the core of the DuraBolt PrintBar is a printhead based on Memjet's Advanced Thermal Inkjet Technology. This technology achieves drastic reductions in inkjet blockages and issues with an impressive 10 times nozzle redundancy. The 1600 dpi printheads feature 10 rows of nozzles firing 2.1 pL drops in patterns designed to minimize artifacts and reduce downtime.

Custom Digital Front End with Extensive Capabilities

DuraBolt comes with a configurable, PDF based, Digital Front End (DFE) that streamlines interaction between the print engine and all aspects of the printing process. This delivers powerful process control, system automation and straightforward user operation. The print engine's custom Human Machine Interface provides an intuitive, interactive dashboard that includes real-time status of consumable levels, press components and environmental conditions.

Easy Integration for Advanced Hybrid Solutions

Powerful ModBus solution architecture is a key feature of the DuraBolt PrintBar technology. It enables smooth integration with existing printing systems and product extensions, plus simplified control of the hybrid system.

Designed for Easy Self Maintenance

The DuraBolt PrintBar is designed for easy self maintenance by customers. Self-service enables customers to address issues immediately rather than wait for a service engineer. This rapid recovery through simplified module replacement minimizes lost time and increases productivity.

Reduce Costs and Enhance Productivity

The DuraBolt PrintBar has been designed with cost savings and productivity gains in mind. With up to 30 per cent lower acquisition and running costs plus around 30 per cent increases in productivity, this powerful new technology delivers on its productivity promise.

User-centricity was the focal point of Memjet's design decisions when developing the DuraBolt PrintBar. Extensive productivity gains have been made with rapid system start up, reduced make-ready times, and automated processes. Automatic maintenance and the elimination of printhead position adjustments answers industry calls for technology suited to a cost effective workforce of non-expert operators. Remarkably easy to use and providing seamless connectivity to existing printing systems, the DuraBolt PrintBar can significantly enhance productivity and profit.

Full Web Printing

The DuraBolt PrintBar eliminates the need for true black plate changes on offset presses to simplify the process and reduce production times.

Automation and Simplicity

Further productivity gains come from automated printhead calibration, which retains print quality from job to job. Configurable, automatic maintenance cycles mean minimal downtime. While the print engine's rapid start up supports further productivity gains. Periodic printhead replacement is quick and easy with no need for skilled technicians.

Eliminate Position Adjustments

Streamlined job setup is achieved with a single line head that eliminates the need for position adjustments associated with multi-rail systems.

Minimized Need for Operator Intervention

Easy to install, operate and maintain, the DuraBolt PrintBar minimizes operator involvement with advanced features such as automated head wiping, capping, and print gap positioning. Print-on-page positioning is also digitalized as are other general maintenance and cleaning operations. Additional options include air and humidity conditioning systems that minimize the impact of seasonal fluctuations on productivity.

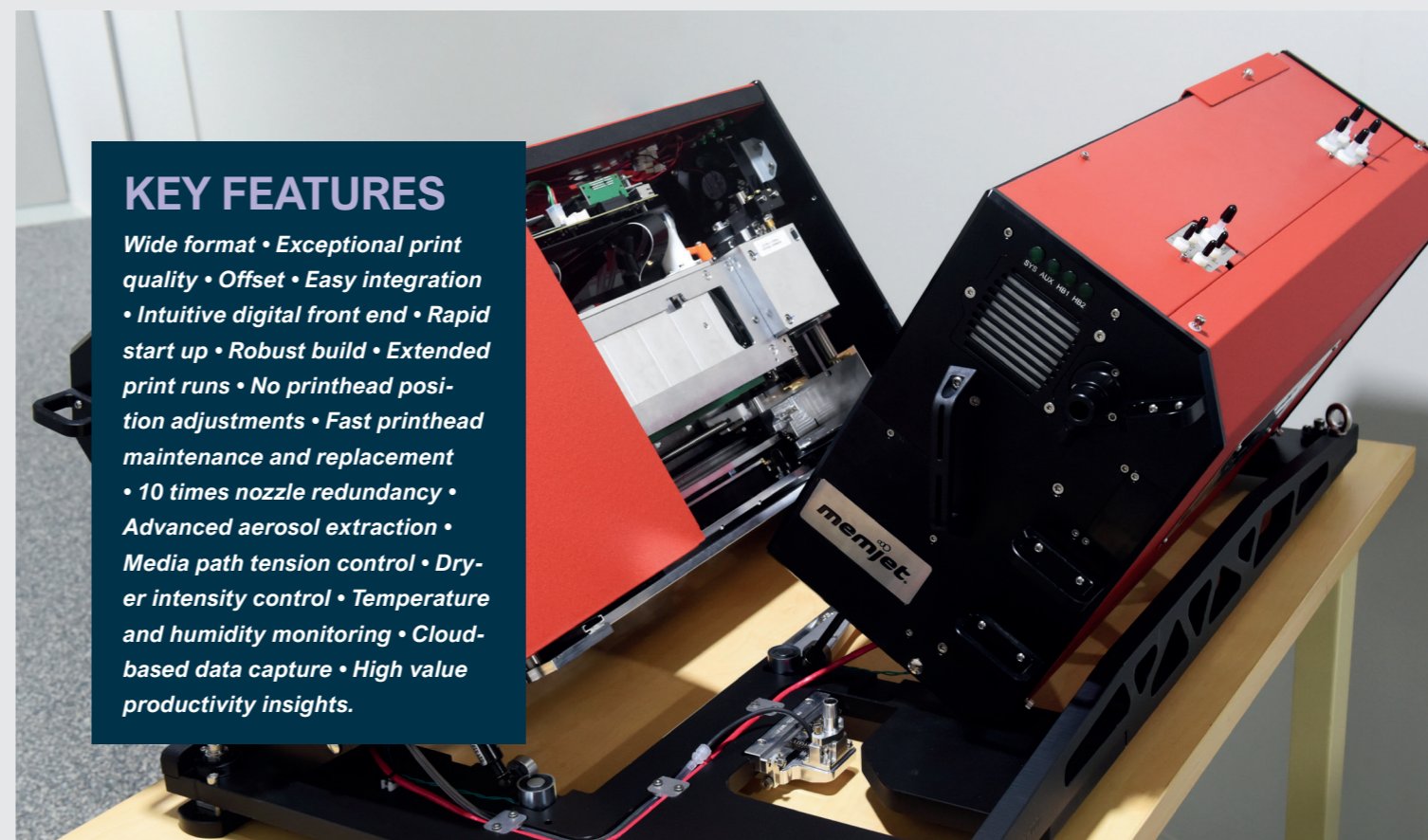
KEY FEATURES

Wide format • Exceptional print quality • Offset • Easy integration • Intuitive digital front end • Rapid start up • Robust build • Extended print runs • No printhead position adjustments • Fast printhead maintenance and replacement • 10 times nozzle redundancy • Advanced aerosol extraction • Media path tension control • Dryer intensity control • Temperature and humidity monitoring • Cloud-based data capture • High value productivity insights.



Seeing is Believing.

Watch Memjet® technology in action at [Memjet.com/technology](https://www.memjet.com/technology)



DuraBolt PrintBar Specifications

Parameter	Specification
Digital Engine	Memjet Advanced Thermal Inkjet
Resolution	1600 x 790 dpi
Print width (Up to)	324 mm (12.75 inch) 645 mm (25.5 inch) 970 m (38.25 inch)
Number of printheads	1 printhead for 324 mm 2 printheads for 645 mm 3 printheads for 970 mm
Printhead life	Up to 500 L per printhead depending on job design
Ink type	Aqueous black pigmented ink in 55L containers
Nozzle redundancy	10 nozzles stacked and aligned
Press footprint	680 mm (<27 inch)
Maximum Linear Print Speed	980 fpm
Printhead maintenance system	Automated and configurable. Provides cap, wipe and purge functionality
Fluid control system	Precision ink supply system including ink recirculation
Alignment to offset shell	Digital alignment with workflow. Fine-tuning via DFE.
Communication protocol	ModBus TCP enabling PLC connectivity to various press and finishing items
Digital Front End SW	Integrated RIP and controller
Interactive HMI / dashboard	Integrated into DFE
Workflow	PDF and PDF/VT
Single mount print tower	Optional , includes tach encoder and alignment sensor
Automated alignment system	Optional , 2 cameras for auto head-to-head stitching
Environmental control system	Optional , humidity and temperature control
Operator training	Included

