

System provider

All models of the EVOLUTION series use solid and tear-resistant polypropylene straps. They can be delivered directly from Mosca on request – regardless of whether the scope of the order is a single box or container load. Mosca produces PET and PP straps in one of the most modern facilities in Europe, near the company's headquarters in the South of Germany. In all models of the EVOLUTION series, PP straps suitable for automatic machines of between 5 to 12 mm width can be used. They are environmentally friendly, safe to use with food and free of pollutants. The standard color is black. On request, other colors and dimensions can be manufactured in the same quality.



Article No.	Dimensions (mm)	Sleeve (mm)	Coil length	Ø Tensile strength
PP05157040	5 x 0,40	200 x 190	7.500 m	50 kg
PP05155047	5 x 0,47	200 x 190	7.000 m	60 kg
PP06900055	6 x 0,55	200 x 190	4.700 m	65 kg
PP08155045	8 x 0,45	200 x 190	4.500 m	90 kg
PP09155055	9 x 0,55	200 x 190	3.500 m	100 kg
PP10900055	10 x 0,55	200 x 190	3.000 m	110 kg
PP12155045	12 x 0,45	200 x 190	3.000 m	100 kg
PP12155055	12 x 0,55	200 x 190	2.500 m	120 kg
PP12155063	12 x 0,63	200 x 190	2.000 m	165 kg



MOSCA®

EXCELLENCE IN STRAPPING SOLUTIONS

MOSCA GMBH Gerd-Mosca-Straße 1, 69429 Waldbrunn/Germany
Tel.: +49 62 74 / 9 32-0, Fax: +49 62 74 / 9 32 400 118
Tel. Technischer Service: +49 62 74 / 9 32-146
E-Mail: info@mosca.com
Internet: www.mosca.com

12 / 19 Subject to change

MOSCA®

EXCELLENCE IN STRAPPING SOLUTIONS

The

EVOLUTION

Variety with quality



SoniXs MP-6 R

SoniXs MP-6 T

SoniXs MP-6 B

One machine - suitable across all industries

The automatic strapping machines of the MP series have been standing the test of time across the world. They are solid, reliable and easy to operate. In the generation EVOLUTION, modern technology meets tradition. The advanced high-end Standard 6 sealing unit sets standards for automatic strapping machines at entry level.

The EVOLUTION offers

- higher strapping speeds
- continuous adjustable strap tension
- choice of strap widths
- diversity of options
- soft strapping

The EVOLUTION is ideal for a wide range of applications including

- **Printing:** for wholesalers who need to strap different products quickly and reliably
- **Cardboard packages:** for quick strapping of many packages within short time frames
- **Distribution / Mail:** at distribution centres where high-quality work within minutes is in high demand

The compact machines are particularly suitable for the strapping of small packages and stacks. Due to its space-saving design, the machine can be used in a confined space. If necessary, the EVOLUTION with its high power of up to 58 cycles per minutes and its rotating panel can be fed from both sides. This avoids unnecessary idle time for operators.



RELIABLE

The Standard 6 sealing unit

EVOLUTION

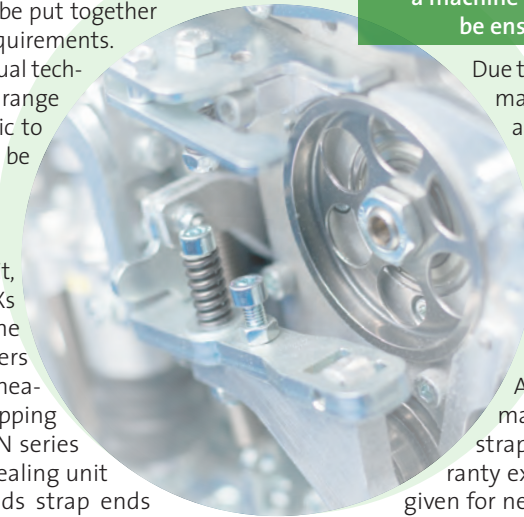
For the EVOLUTION, the way the strap travels was unified and a welding unit was developed to Standard 6. All three base models use the same technology and the same aggregate. The standardization of the core components including dispenser, strap feed, strap magazine and strap guide frame, has enabled a modular construction of the machine. Like building blocks, the EVOLUTION can be put together according to customer requirements. By standardizing the individual technical components, a whole range of machines from automatic to fully automatic versions can be offered.

The Standard 6 sealing unit

In the Standard 6 sealing unit, either heat welding or SoniXs technology can be used. The mechanics of the unit differs only in the type of sealing: heating or sonotrode. Each strapping machine of the EVOLUTION series is supplied with a SoniXs sealing unit as a standard, which welds strap ends quickly and safely with ultrasonic technology. The tear strength of the welding seam equals up to 80 percent of the tensile strength of the strapping

material. In contrast to heat welding, the SoniXs sealing unit does not need to be heated. Therefore, machines with a SoniXs sealing unit are fully operational at all times. If requested, a traditional heat welding unit can still be fitted.

Due to the **economy mode**, a machine-gently performance can be ensured when needed.



Due to its modular design, more machine parts can be pre-assembled. In addition, the open design of the sealing unit makes the technical components more easily accessible. This pays off in terms of faster assembly times and leads to even better services.

At the completion of a maintenance contract and a strap supply contract, a warranty extension of 24 months is given for new machines. In addition, if you complete a maintenance contract and a strap supply contract, you will receive a 10 percent discount on the maintenance contract.

EVOLUTION table / belts / rollers



VARIETY WITH SYSTEM

Standard features SoniXs MP-6 T / MP-6 B / MP-6 R:

- Modular construction
- Ultrasonic sealing system with electronic self-calibration
- High-end Standard 6 sealing unit
- Easy accessibility and tool-free disassembly of strap way components
- Wear-free DC drives with integrated electronics
- Stepless turnable operation panel for many-sided operation
- Adjustable strap tension via potentiometer
- Programmable strap tension value
- Switching from maximum to material-friendly Eco-speed in the control
- Cycle counter integrated in the control
- Quick strap coil change
- Strap coil changeable from the front and the side
- Automatic strap threading system
- Strap end detection with ejection of remaining strap
- Automatic strap loop ejection
- Extremely low energy consumption
- Stand-by mode
- 4 castors, 2 of them lockable
- CE marking inclusive conformity declaration
- Structural painture in RAL 5010, gentian blue
- Easy operation over digital display in the control panel (only for B- and R-version)
- Soft strapping selectable for sensitive packages (only for table version)
- Hinged transporting systems for easy access (only for B- and R-version)
- Floating contacts linking upstream and downstream facilities (only for B- and R-version)
- Signal-regulated conveying speed from 0-1 m/sec. (only for B- and R-version)
- Parameter control point for setting strapping parameters (only for B- and R-version)
- Selector switch for single, double or multiple strapping (only for B- and R-version)

TECHNICAL DATA

Straps:	Standard machine grade 5, 6, 8, 9, 10 or 12 mm wide PP straps
Strap coil dispenser:	
Core diameter:	200 mm
Core width:	190 mm
Max. outer diameter:	430 mm
Electricity:	
Network data:	110 - 240 V, 50/60 Hz, 1L+N+PE
Power data:	approx. 0.2 kW
Sealing unit:	Standard 6 unit



EVOLUTION table version (T)

Reliable, fast and functional. The table version of the EVOLUTION series is both professional and versatile. Operated automatically, it is one of three versions of the new machine generation. The table version can be fed from both sides thanks to an additional foot pedal and a pivoting operating panel. This is particularly useful at peak times, for example at wholesalers or mail order businesses, when the full capacity of 58 cycles per minute needs to be exploited. The compact design fits well into smaller production environments. The table version is available in nine frame sizes of up to 1650 mm width. For faster handling of heavy products, balls or rollers can be fitted in the table plate on request.



EVOLUTION-TABLE

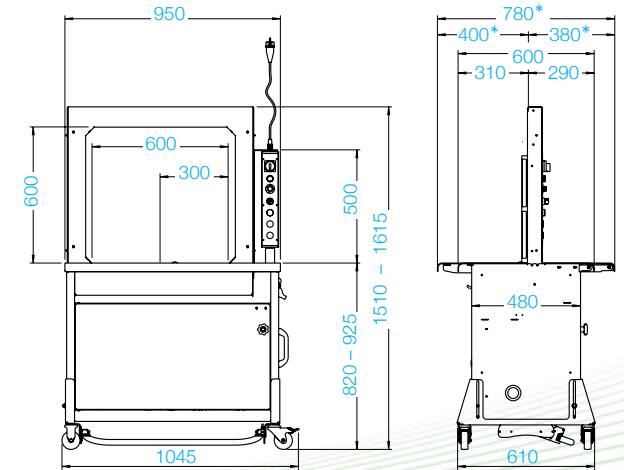
EVOLUTION table version (T)

Options:

- Pneumatical hold-down device
- Table extension
- Balls or rollers in the table plate
- Automatic adjustment of the strap tension by package height detection
- Lowering chassis H = 730 – 835 mm to the front and rear, or outwards
- Manual strapping release via additional fixed or flexible foot pedal
- Automatic strapping release via ball switch or light sensor
- Early strap ending indication with signal in the OP
- Parameter control point for setting strapping parameters
- 4 swivel castors, 2 with brakes
- Signal light (LED)
- Hinged cable conduit
- Signal exchange via 16 pol contact socket
- Sealing unit for narrow products (heat-welding)
- Special painture according RAL scale

TECHNICAL DATA

Capacity:	up to 58 cycles / minute using 5 mm strap
Weight:	190 kg (at frame size 600 x 600 mm)
Frame sizes:	500 x 400 mm 600 x 600 mm 800 x 400 mm 800 x 600 mm 800 x 800 mm 1000 x 800 mm 1250 x 600 mm 1250 x 1000 mm 1650 x 600 mm



* Sizes on table extension at SoniXs MP-6T (600 x 600 mm)

EVOLUTION belts version (B)

The fully automated belts version of the EVOLUTION can be easily integrated into automated production lines. The conveying speed of the belts is signal controlled. Depending on the conveying speed and the product sizes, performances of up to 35 packages per minute can be achieved. For different applications, frame sizes of 600 mm, 800 mm or 1000 mm width are available.



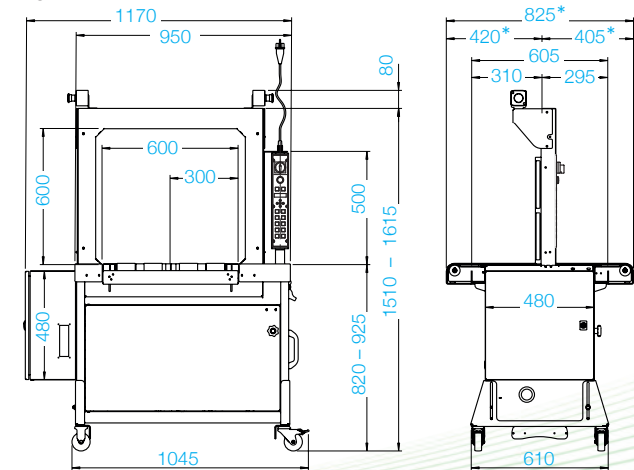
EVOLUTION belts version (B)

Options:

- Pneumatical hold-down device
- Table extension
- Automatic adjustment of the strap tension by package height detection
- Lowering chassis H = 730 – 835 mm to the front and rear, or outwards
- Early strap ending indication with signal in the OP
- 4 swivel castors, 2 with brakes
- Signal light (LED)
- Hinged cable conduit
- Signal exchange via 16 pol contact socket
- Safety pop-up rollers in the infeed and outlet area
- Product cover identification device
- Brush guide for proper strap positioning
- Lateral product guidings
- Special painture according RAL scale

TECHNICAL DATA

Capacity:	up to 35 cycles / minute using 5 mm strap
Weight:	260 kg (at frame size 600 x 600 mm)
Frame sizes:	600 x 600 mm 800 x 600 mm 1000 x 800 mm



* Sizes on table extension at SoniXs MP-6 B (600 x 600 mm)

EVOLUTION-BELTS

EVOLUTION rollers version (R)

For heavy loads, the EVOLUTION series offers a fully automatic “rollers” version, which can be integrated into production lines just like the “belts” version. The conveying speed is frequency controlled by up to 1 meter per minute to achieve the maximum performance of 35 packages per minute. Mosca offers optional add-ons including a hold-down device, safety rollers and lowering chassis for the basic model, which is available in three frame sizes of up to 1000 mm width. Logistics operations dealing with varying product heights, in particular, will appreciate the optional automatic strap tension adjustment that is steered by bundle height detection.



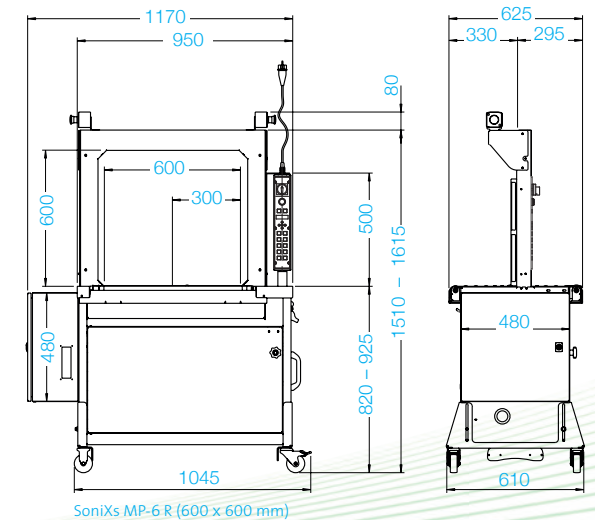
EVOLUTION rollers version (R)

Options:

- Pneumatical hold-down device
- Automatic adjustment of the strap tension by package height detection
- Lowering chassis H = 730 – 835 mm to the front and rear, or outwards
- Early strap ending indication with signal in the OP
- 4 swivel castors, 2 with brakes
- Signal light (LED)
- Hinged cable conduit
- Signal exchange via 16 pol contact socket
- Safety pop-up rollers in the infeed and outlet area
- Product cover identification device
- Brush guide for proper strap positioning
- Special painture according RAL scale

TECHNICAL DATA

Capacity:	up to 35 cycles / minute using 5 mm strap
Weight:	260 kg (at frame size 600 x 600 mm)
Frame sizes:	600 x 600 mm 800 x 600 mm 1000 x 800 mm



EVOLUTION-ROLLERS