


Streamfeeder Automation Accessories Adjustable Mounting Stands

Overview

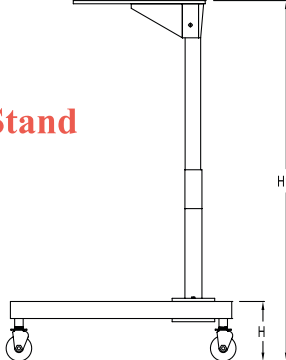
Adjustable mounting stands are available to add even more flexibility and versatility to your Streamfeeder Friction Feeders and Thiele Placers. The single handle, EZ adjust feature allows variable height positioning depending on the host system requirements. Powder-coated steel construction will provide years of dependable service.

Standard Features

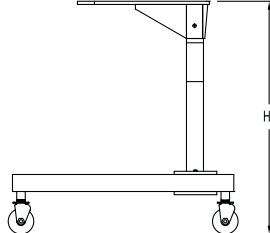
Single handle adjustment • Powder-coated steel construction • Long life design • Optional swivel mount head (EZ adjust model only) • Locking casters (standard on HD, optional on EZ)



EZ-Adjust Stand



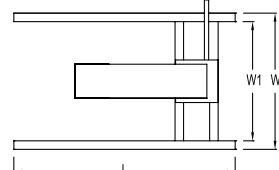
Side View Maximum Height




Side View Minimum Height

Dimensions		
Letter	Tall	Short
L	26 in (66 cm)	26 in (66 cm)
W	17.5 in (44.4 cm)	17.5 in (44.4 cm)
	20 in (50.8 cm)	20 in (51 cm)
W1	12.5 in (31.7 cm)	12.5 in (31.7 cm)
	15 in (38.1 cm)	15 in (38 cm)
H	4.625 in (11.7 cm)	4.625 in (11.7 cm)
H1	49.5 (125.7 cm)	41.75 in (106 cm)
H2	36.75 in (93.3 cm)	26.5 in (67.3 cm)

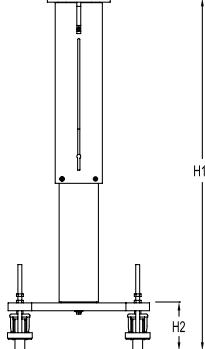
* Heights apply for locking casters. Leveling feet are minus 1"



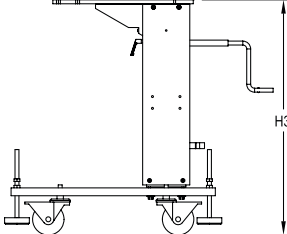
Top View



HD Stand



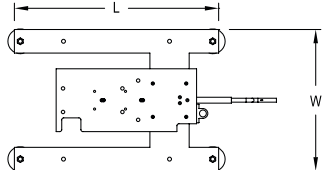
Side View Maximum Height



Side View Minimum Height

Dimensions		
Letter	Tall	Short
L	33 in (83.8 cm)	33 in (83.8 cm)
W	23 in (58.4 cm)	23 in (58.4 cm)
H1	56 in (142.2 cm)	45 in (114.3 cm)
H2	6 in (15.2 cm)	6 in (15.2 cm)
H3	42 in (106.6 cm)	30 in (76.2 cm)

* Heights apply for locking casters. Leveling feet are minus 1"



Top View